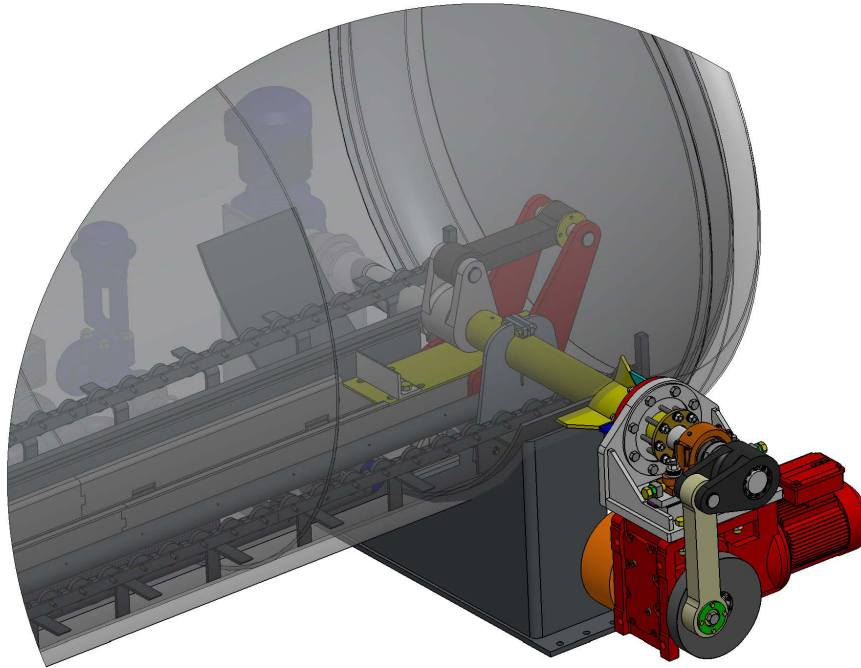




PrH

PRODUCT HANDLING

GENTLE MOTION LOW-SPEED RECIPROCATING AGITATION TECHNOLOGY



New Technology for Flexible Containers

The Gentle Motion™ horizontal reciprocation agitated retort is a low cost alternative to static processing and has the same capacity as static retorts up to 6 baskets/tray stacks long. Allpax Gentle Motion™ retorts provide up to 60% reduction on cycle times with low-viscosity products reducing thermal burden and increasing throughput. The Gentle Motion retort is ideal for horizontally oriented containers with head space.

FEATURES AND BENEFITS

- Increased throughput
- Improved product quality
- Reduced steam and water usage
- Market differentiation with new and innovative products
- Lower cost per case

Gentle Motion



Static



©2018 ProMach Inc. ProMach reserves the right to change or discontinue specifications and designs shown in this brochure without notice or recourse